

PRINTER RUSH

(PTO ASSISTANCE)

Application : <u>10/632350</u>	Examiner : <u>Vy</u>	GAU : <u>2821</u>
From : <u>B.M.G.</u>	Location : <u>(IDC) FMF FDC</u>	Date : <u>9/1/05</u>
Tracking # : <u>06128018</u>		Week Date : <u>8/15/05</u>

DOC CODE	DOC DATE	MISCELLANEOUS
<input type="checkbox"/> 1449	_____	<input type="checkbox"/> Continuing Data
<input type="checkbox"/> IDS	_____	<input type="checkbox"/> Foreign Priority
<input type="checkbox"/> CLM	_____	<input type="checkbox"/> Document Legibility
<input type="checkbox"/> IIFW	_____	<input type="checkbox"/> Fees
<input type="checkbox"/> SRFW	_____	<input type="checkbox"/> Other
<input checked="" type="checkbox"/> DRW	<u>4.20.05</u>	
<input type="checkbox"/> OATH	_____	
<input type="checkbox"/> 312	_____	
<input type="checkbox"/> SPEC	_____	

[RUSH] MESSAGE: Attention: Chief Draftsman,
 Cannot substitute new figure 1 of drawings dated 4.20.05
 because original figure 1 shares the same page with another
 figure. Please resolve.

Thank you
 B.M.G. *(Signature)*

[XRUSH] RESPONSE: _____

DRAWING CORRECTED

9-9-2005

INITIALS *(Signature)*

FIG.1

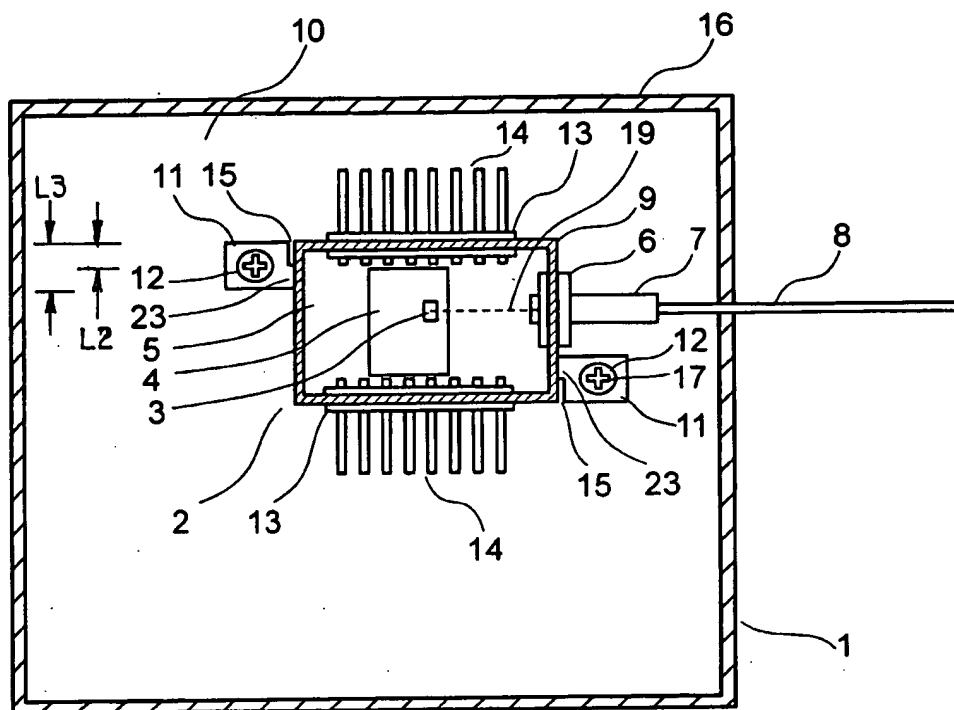


FIG.2

